

VARIO EVENT TRIANGLE

The new triangular design is an absolute recommendation. Its basic construction clearly stands out from the crowd of ordinary tents. With additional graphics and banners, the path is clear for successful outdoor advertising. VARIO EVENT SERIES also leaves a perfect impression at sports events. Numerous accessories such as display and brochures shelves etc. complete the product line.



Design example: VA 1313, VA 1315, VA 1240



Banner set VA 1315 easily inserted with welt 6 mm



Fabric wall attached with suspension kit VA 1311



Banner set VA 1315

BASIC MODULES

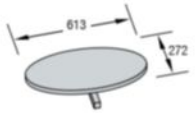


VA 1313
Triangle, 3 uprights
with fabric roof

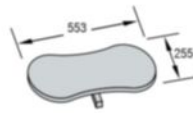


VA 1303
Triangle, 3 uprights
without fabric roof

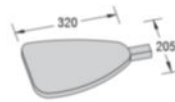
ACCESSORIES



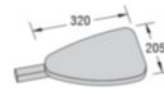
VA 1211
Display shelf
white



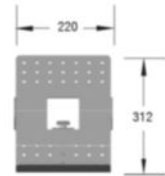
VA 1212
Display shelf
white



VA 1213
Display shelf
white



VA 1214
Display shelf
white



VA 1240
Brochure shelf
universal



E 275
Bag holder



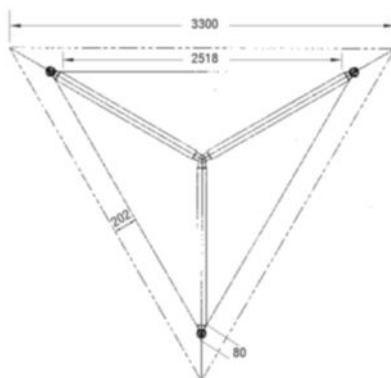
VA 1311
Strap kit for panels



VA 1340
Suspension kit for 1 upright

All OCTANORM accessories may be used with the vario event system.

TECHNICAL INFORMATION



PANEL SIZES:

❶ W 2430 x H 2020 mm



❸ W 350 x H 200 - 2020 mm

❹ W 1348 x H 200 - 2020 mm