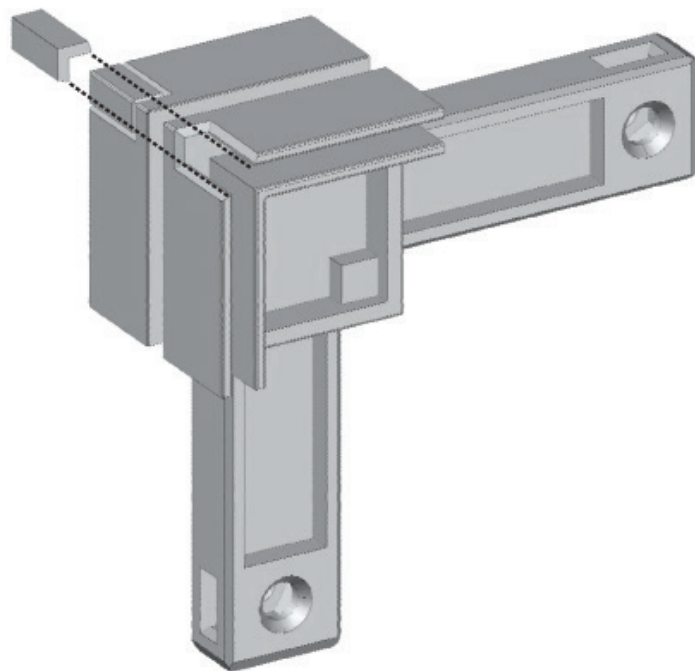
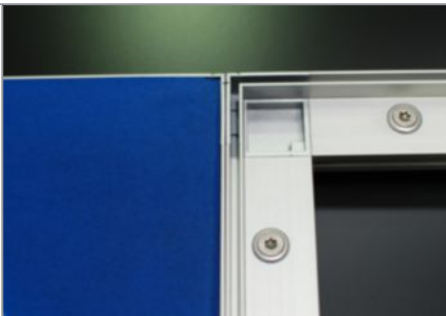


Tension Fabric Corner with a Trick

Different events, different size graphics..... here's how!



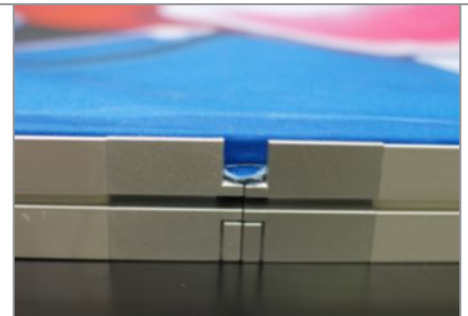
Product features



Link stock TFS frames together



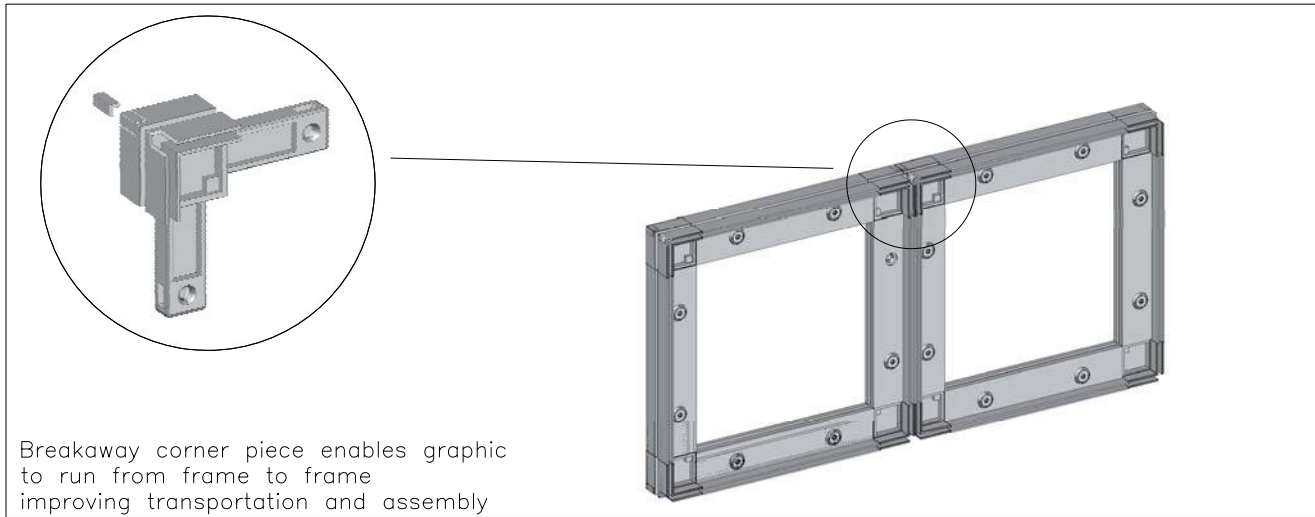
Unique breakaway corner



Run your graphics frame to frame

	<p>KNUCKLE JOINT</p> <p>plastic, silver-grey inc. 2 screws E111/m for joining fabric tension extrusions M 1307 & M1305</p> <p>0.055kg</p>	<p>M1436.21</p>
--	--	------------------------

BENEFITS OVER MITRED JOINT:



<p>No mitre required</p>	<p>Compatible with both M1307 & M1305</p>	<p>Drilling to M1307 for knuckle is same for Z961/13 tension lock</p>
--------------------------	---	---