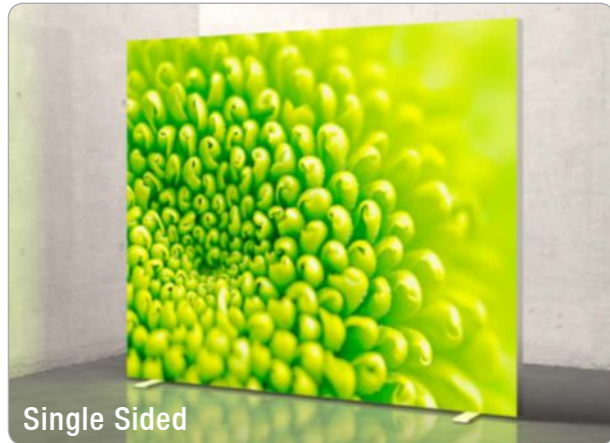


OCTALUMINA[®] THE RANGE



Single Sided



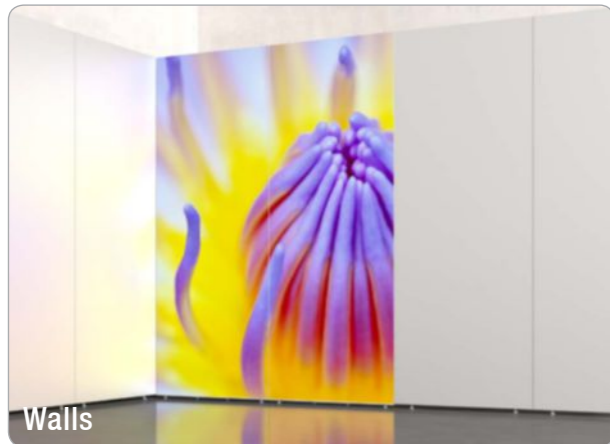
Double Sided



Portable



Ceiling hung



Walls



3D Cubes



Counters



Podium

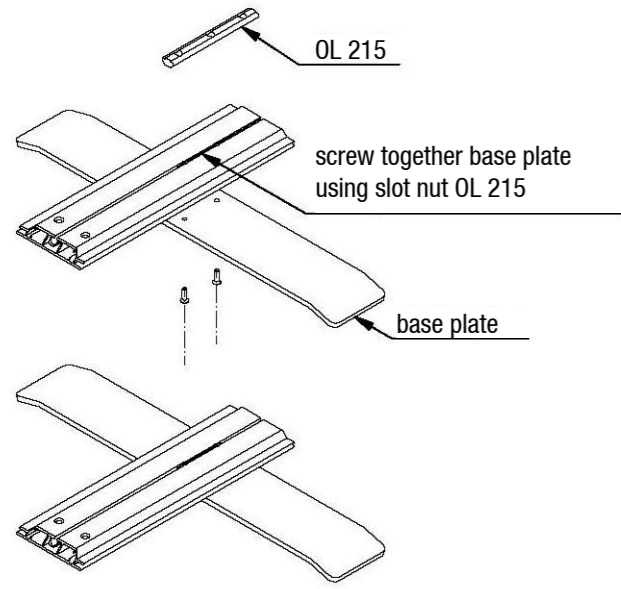
LIGHT UP YOUR IDEAS

OCTALUMINA[®] 120° DOUBLE-SIDED ASSEMBLY INSTRUCTIONS

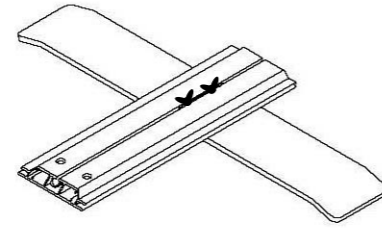
PERFECT HOMOGENEOUS ILLUMINATION



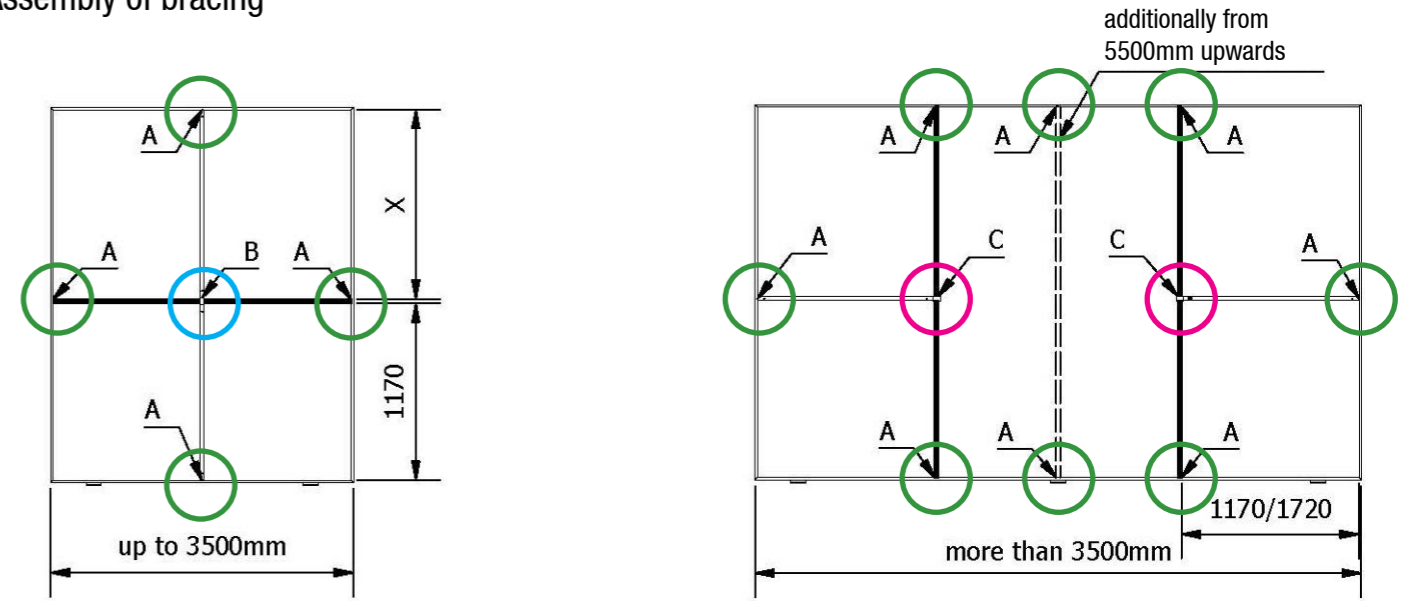
1. Assembly of base plate OL 200



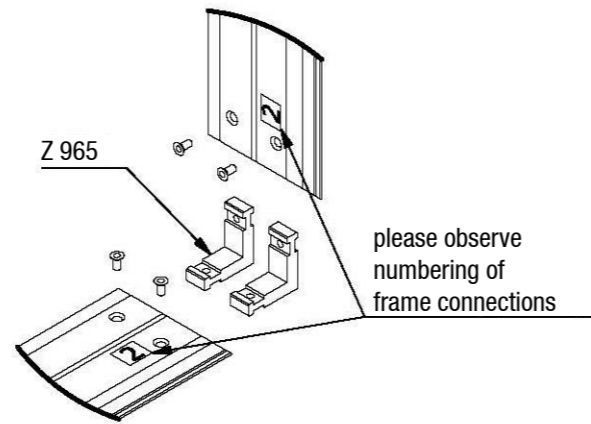
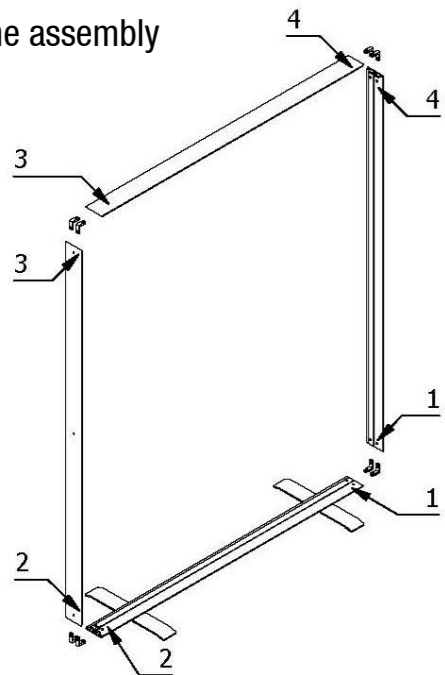
1a. Alternative - assembly of wing nut base plate



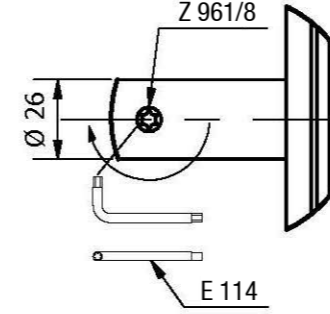
4. Assembly of bracing



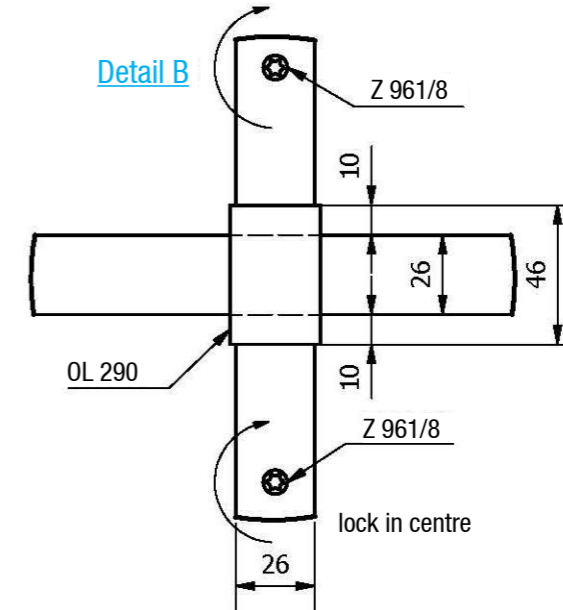
2. Frame assembly



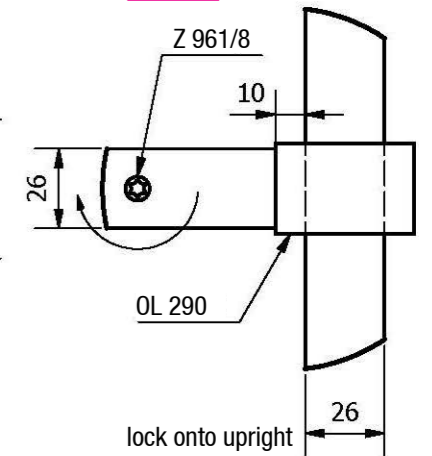
Detail A



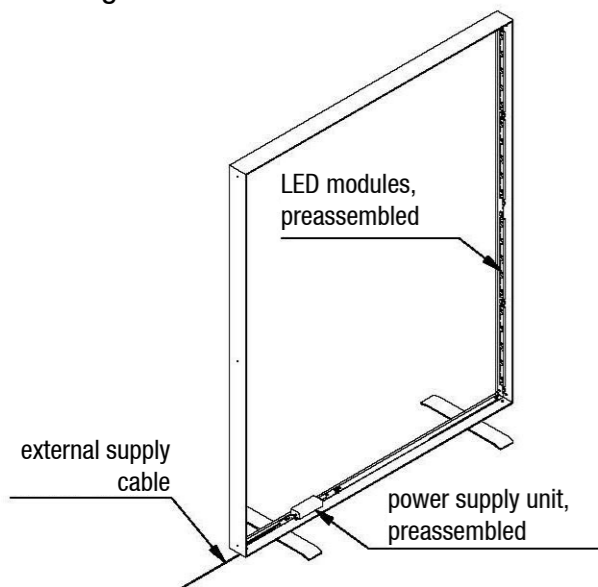
Detail B



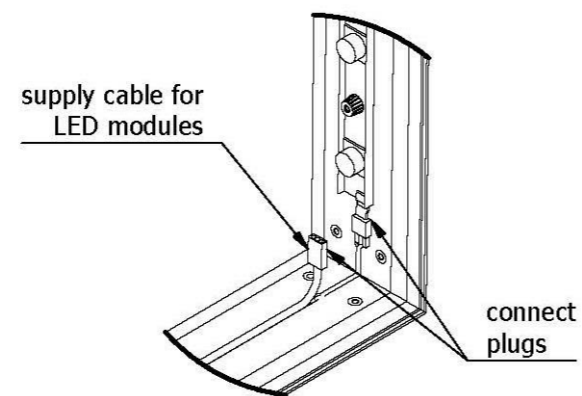
Detail C



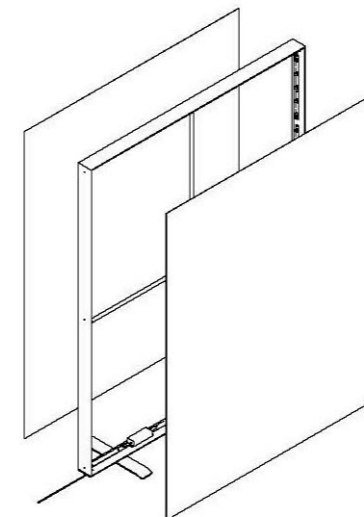
3. Cabling in corners



3a. Connect LED cables



5. Insertion of fabrics



start in the middle of the top and sides slowly pushing in silicon welt all round.

