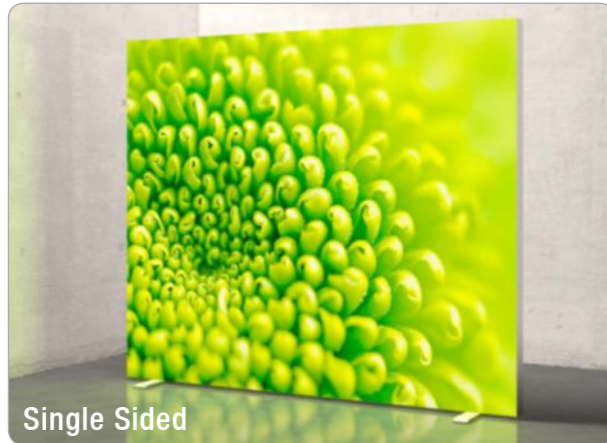


OCTALUMINA[®] THE RANGE



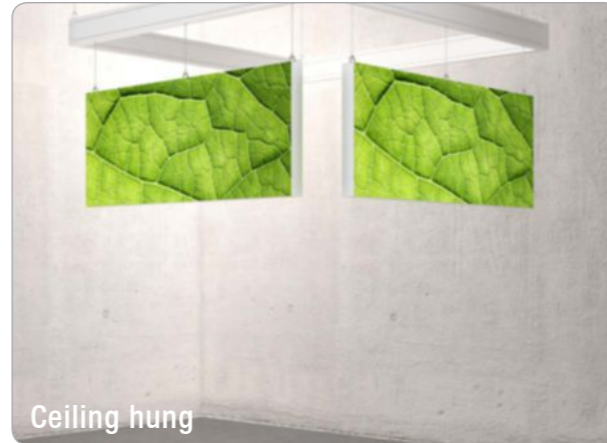
Single Sided



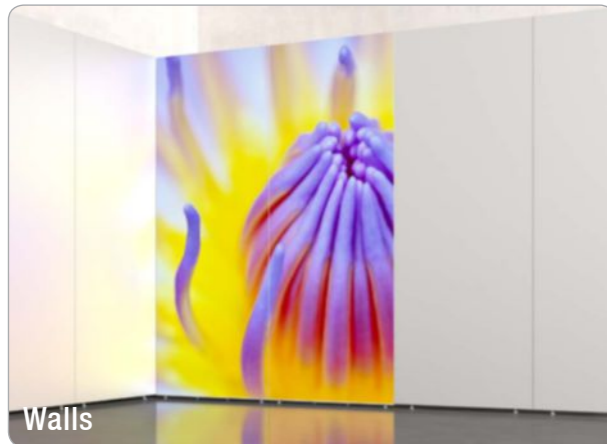
Double Sided



Portable



Ceiling hung



Walls



3D Cubes



Counters



Podium

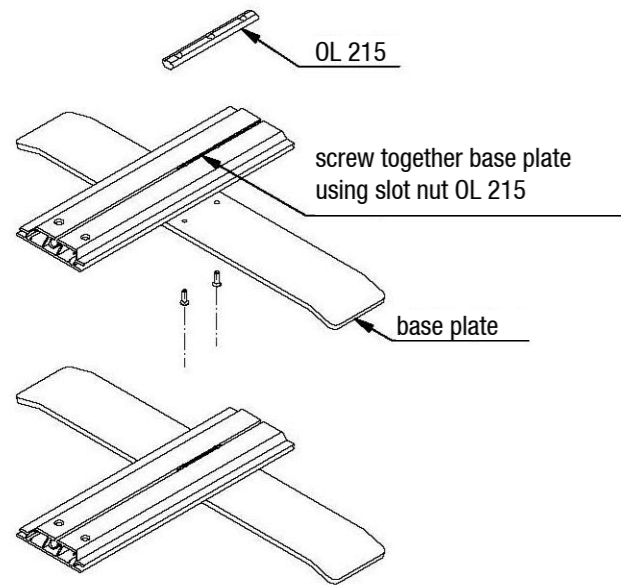
LIGHT UP YOUR IDEAS

OCTALUMINA[®] 120° SINGLE-SIDED ASSEMBLY INSTRUCTIONS

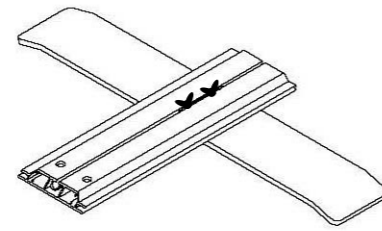
PERFECT HOMOGENEOUS ILLUMINATION



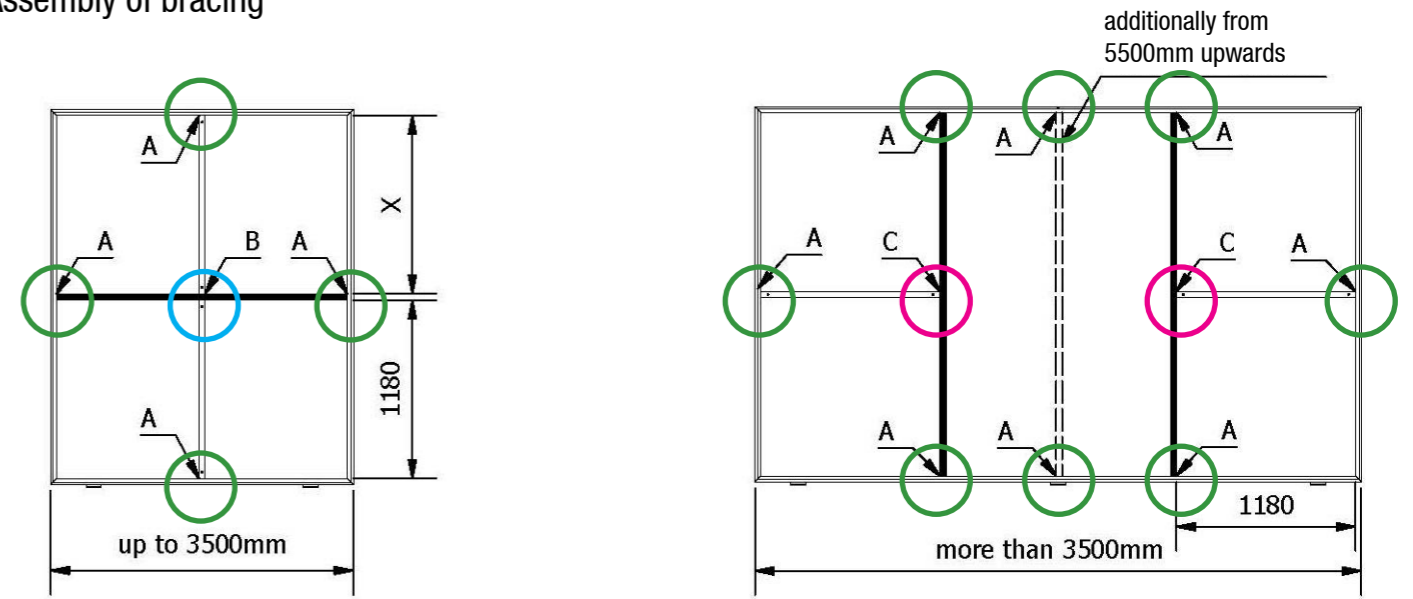
1. Assembly of base plate OL 200



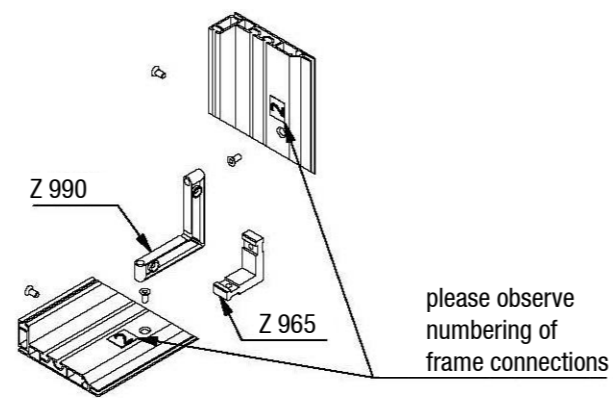
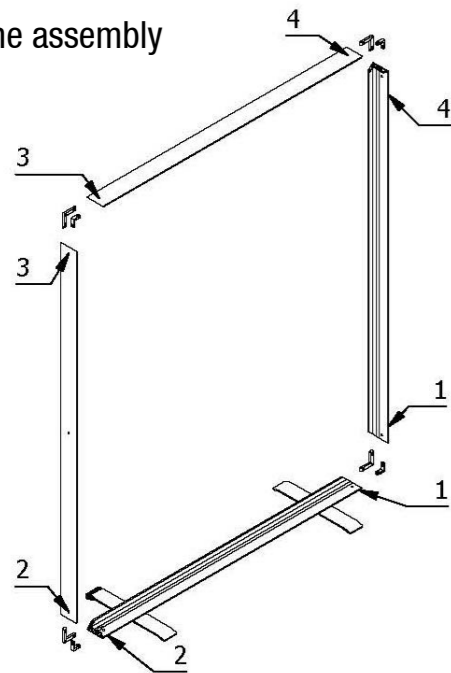
1a. Alternative - assembly of wing nut base plate



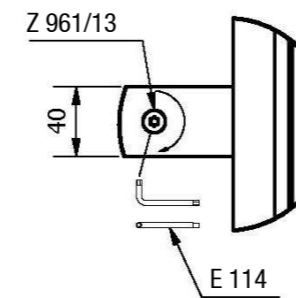
4. Assembly of bracing



2. Frame assembly

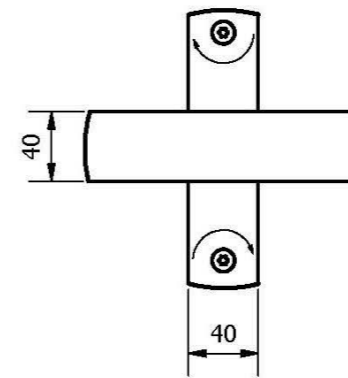


Detail A



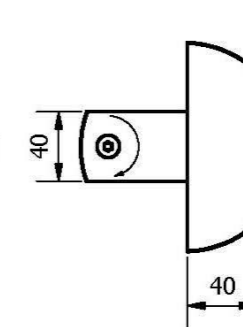
lock bracing by turning 180°

Detail B



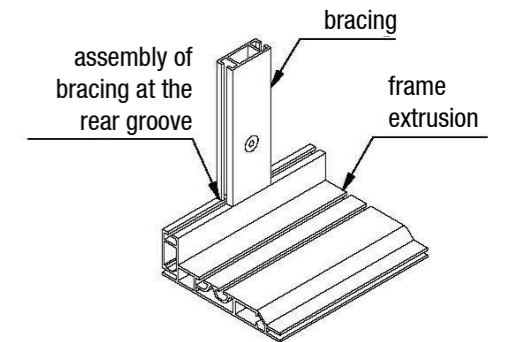
lock in centre

Detail C

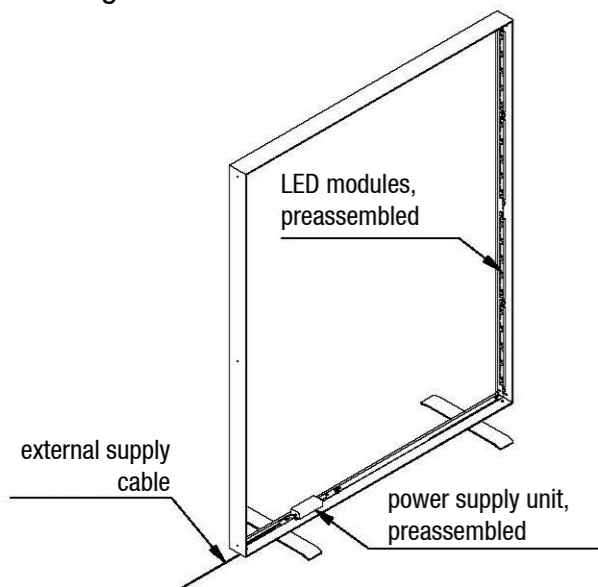


lock onto upright

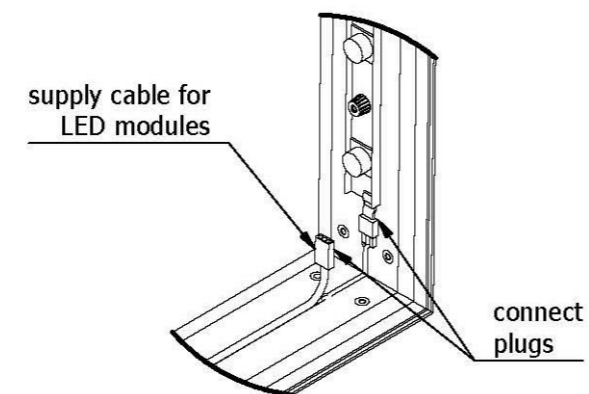
position of bracing at the frame



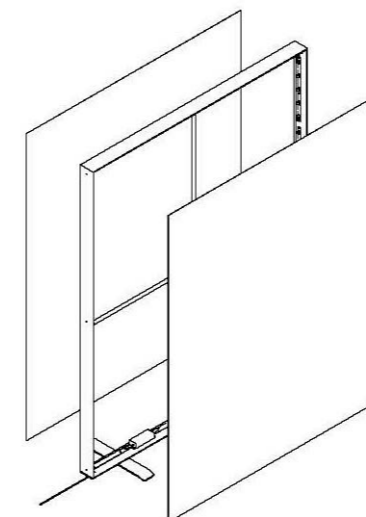
3. Cabling in corners



3a. Connect LED cables



5. Insertion of fabrics



start in the middle of the top and sides slowly pushing in silicon welt all round. Solid panel or block-out fabric to back of display.

